

<h1>Geehy</h1>	ProjectName	APM32E030R TinyBoard V1.1		
	DocumentName	Minisystem.SchDoc		
	Page Number	1/2	Date	20240709

1

2

3

4

A

A

B

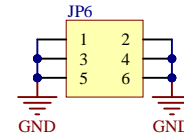
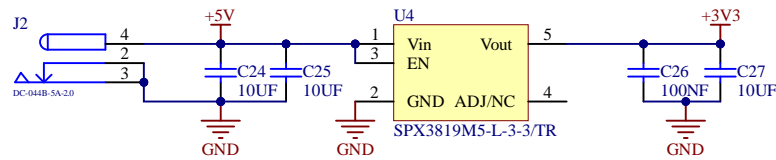
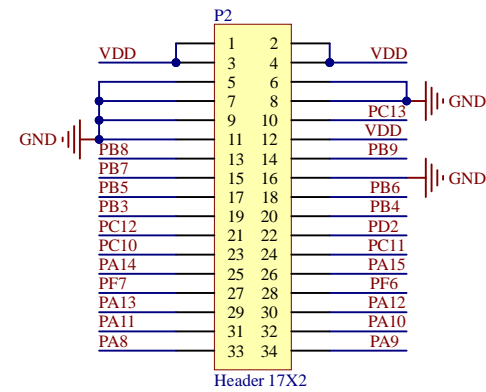
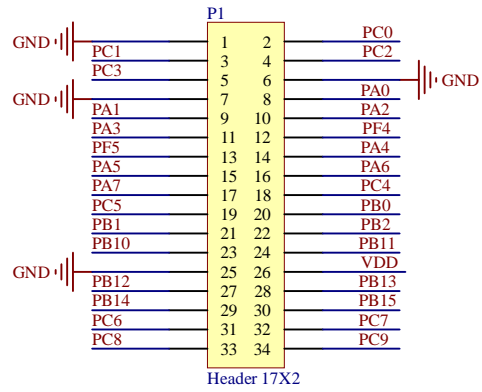
B

C

C

D

D



Geehy

ProjectName	APM32E030R TinyBoard V1.1		
DocumentName	Power.SchDoc		
Page Number	2/2	Date	20240709

1

2

3

4